

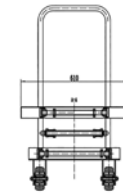
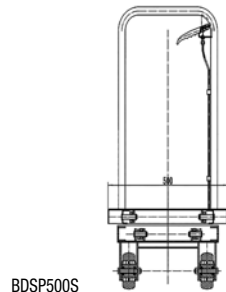
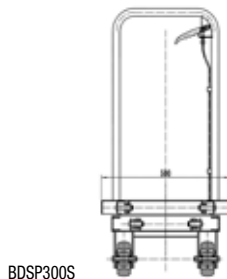
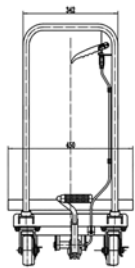
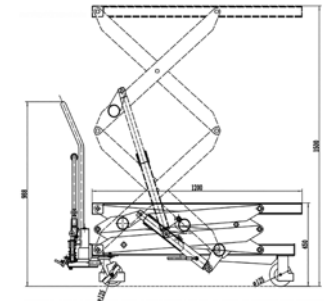
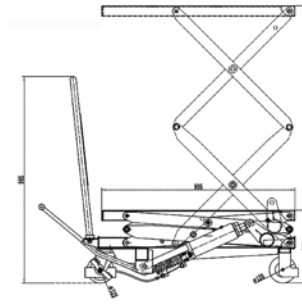
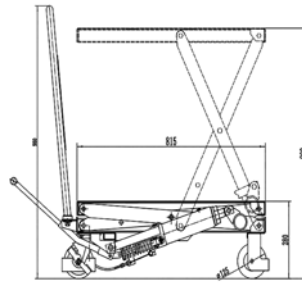
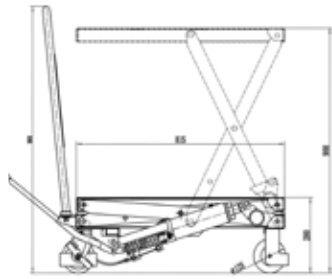
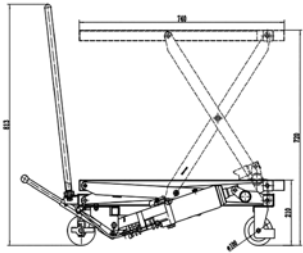
# Spec Sheet

# SCISSOR LIFT TABLE



Product codes:

BDSP150S | BDSP300S | BDSP500S | BDSPS350D | BDSPS800D



BDSP150S

BDSP300S

BDSP500S

BDSPS350D

BDSPS800D

Product	Measurement	BDSP150S		BDSP300S		BDSP500S		BDSPS350D		BDSPS800D	
Load Capacity	kg	150	300	500	350	800					
Lowest Height	mm	225±5	280±5	280±5	355±5	450±5					
Highest Height	mm	740±5	910±5	910±5	1340±5	1530±5					
Table Dimension	mm	740*450*35 ±2, T=2	815*500*50 ±2, T=3	815*500*50 ±2, T=3	905*500*50 ±2, T=3	1200*610*60mm ±2, T=3					
Dia.of the Wheel	mm	Ø100x32 ±2	Ø125x50 ±2	Ø125x50 ±2	Ø125x50 ±2	Ø125x50 ±2					
Wheel No.	pcs	Fixed wheels * 2 + Swivel casters * 2	Fixed wheels * 2 + Swivel casters * 2	Fixed wheels * 2 + Swivel casters * 2	Fixed wheels * 2 + Swivel casters * 2	Fixed wheels * 2 + Swivel casters * 2					
Handle Size	mm	650x340, T=2, D=Ø22; ±5	770x413, T=2.5, D=Ø28; ±5	765x413, T=2.5, D=Ø28; ±5	765x413, T=2.5, D=Ø28; ±5	760x413, T=2.5, D=Ø28; ±5					
Handle Height off the Ground	mm	810±5	970±5	970±5	975±5	985±5					
Qty of Scissors		Single	Single	Single	Double	Double					
Net Weight	kg	41 ±0.5	73 ±0.5	78 ±0.5	101 ±0.5	144 ±0.5					
Colour	RAL	RAL5005	RAL5005	RAL5005	RAL5005	RAL5005					

Note: Images are not to scale.