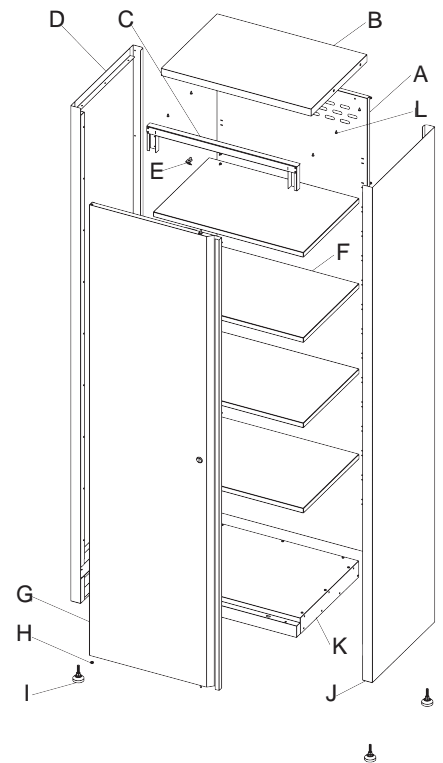
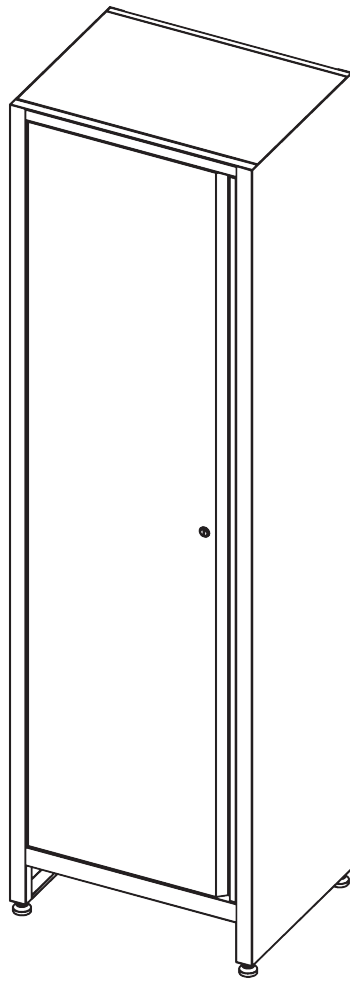


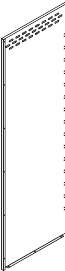
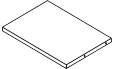
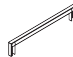
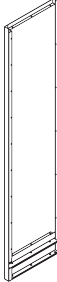




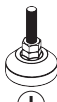

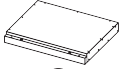

Assembly Sheet

BiGDUG GARAGE MODULAR CUPBOARD

Single Cupboard with 4 Shelves
2045h x 600w x 470d mm



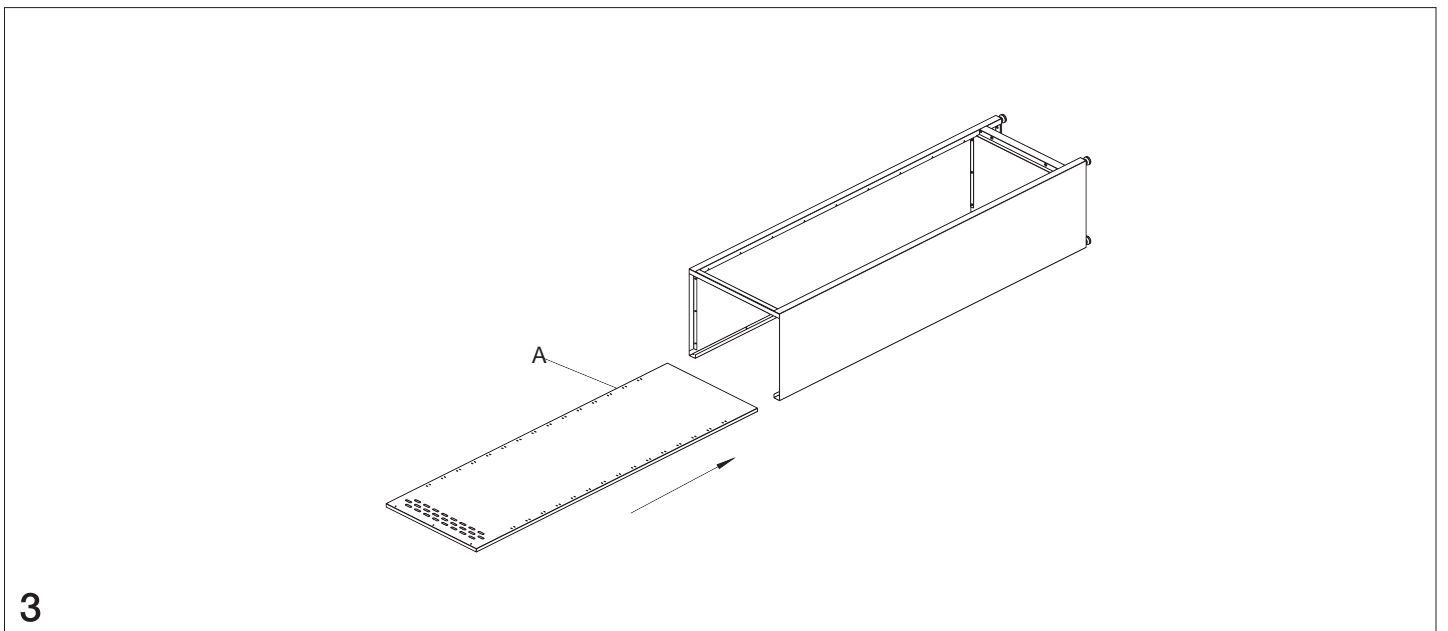
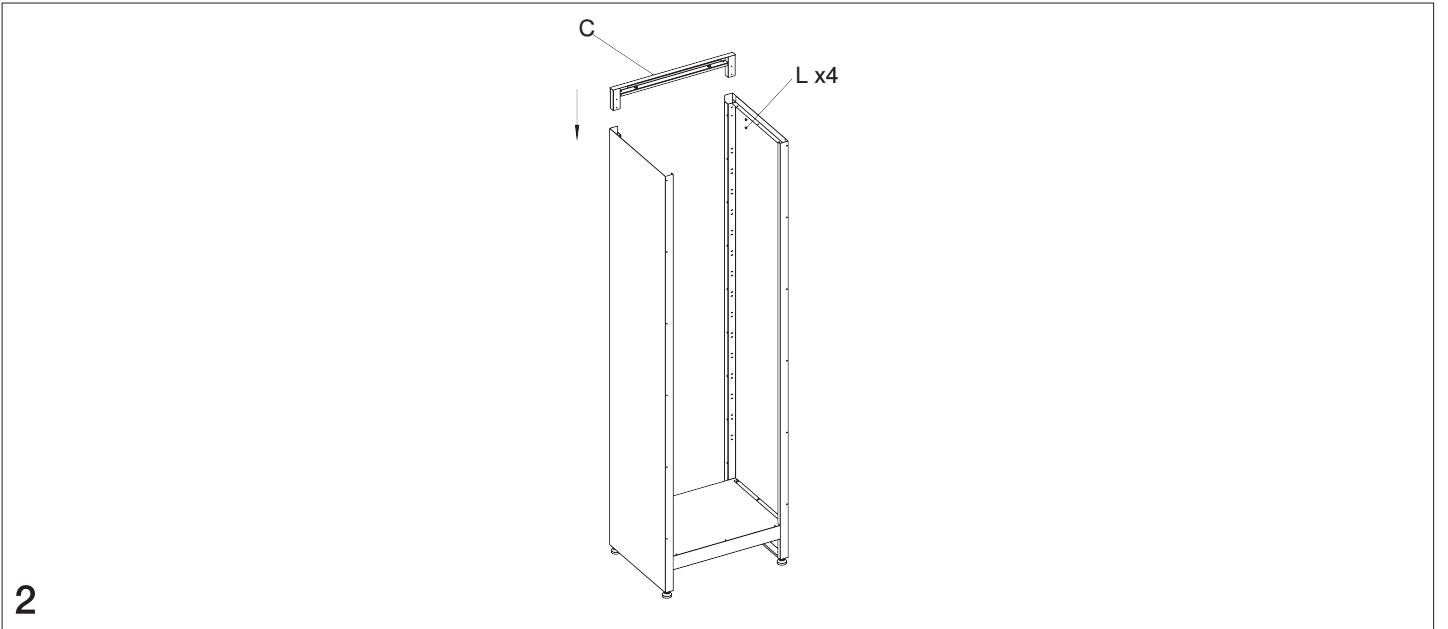
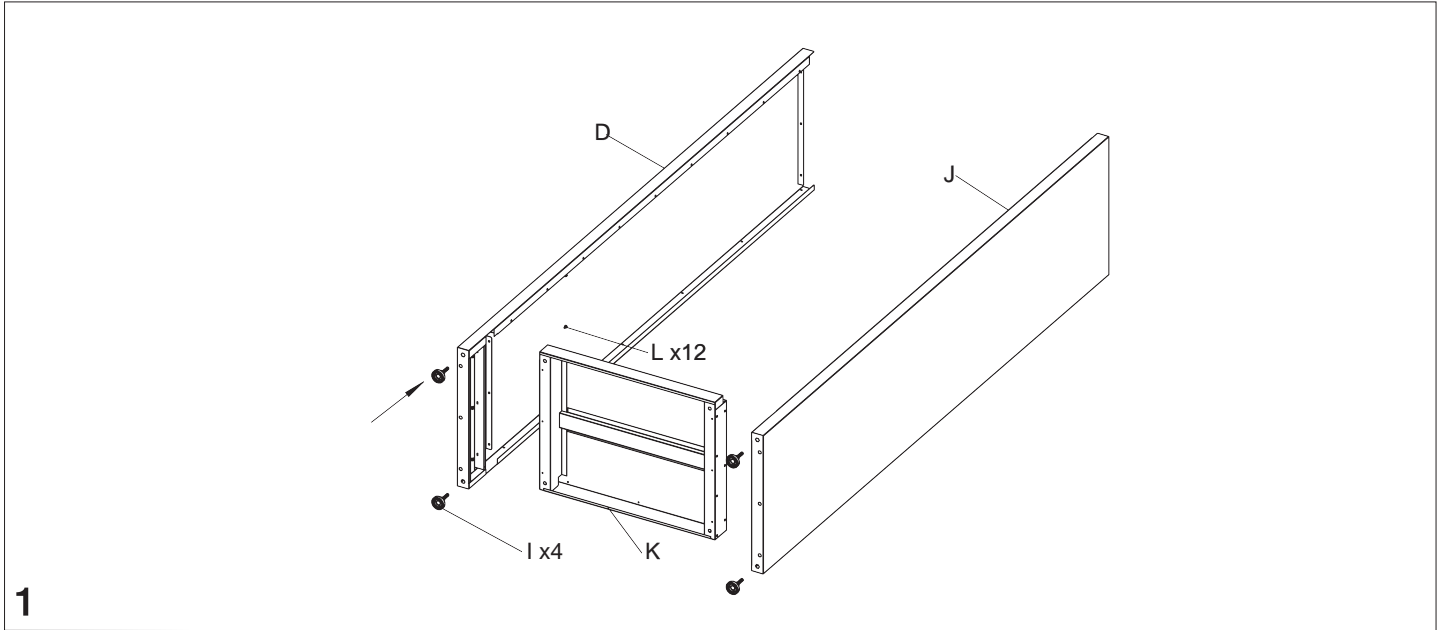
COMPONENTS CHECK LIST:

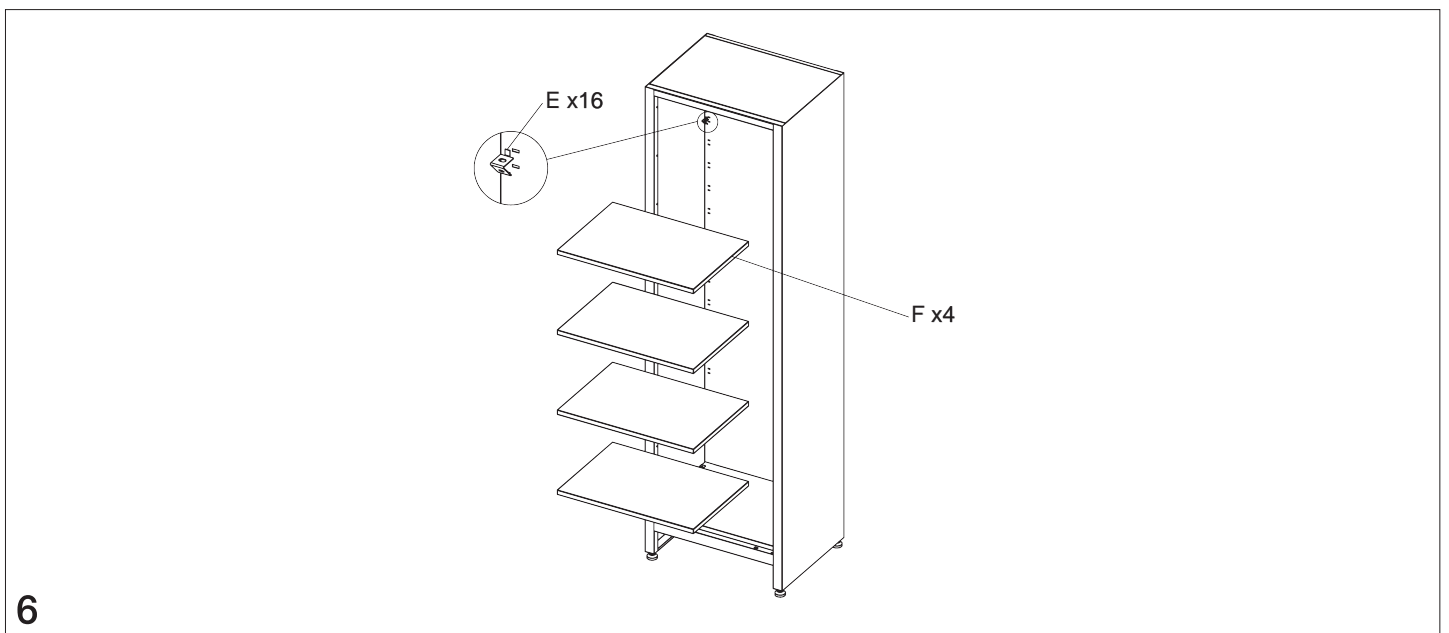
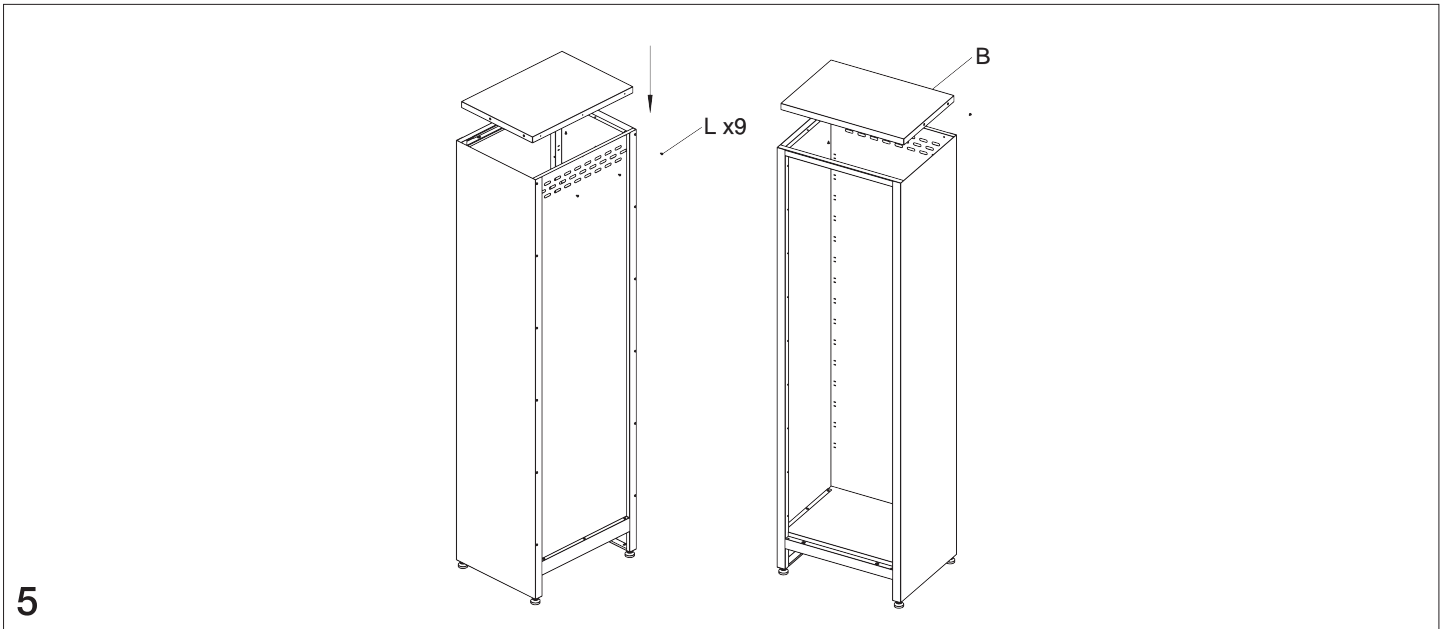
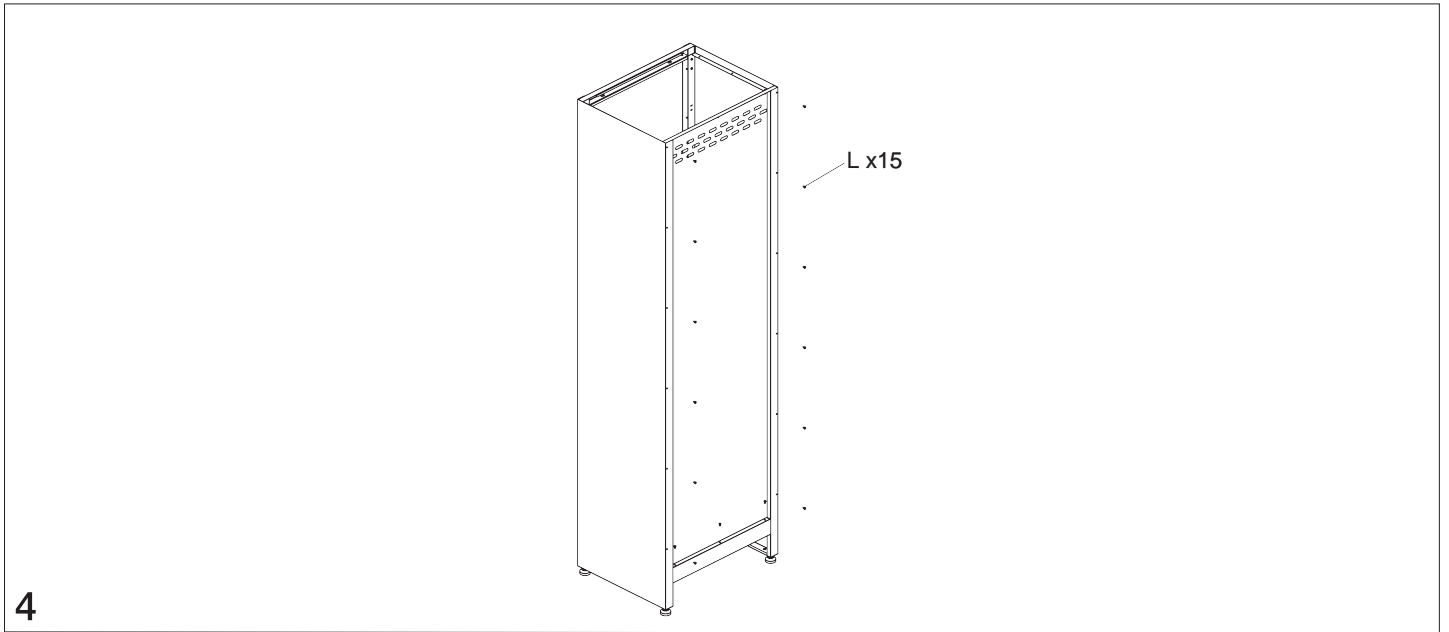
- | | | | | | |
|---|---|---|---|---|---|
|  |  |  |  |  |  |
| (A) | (B) | (C) | (D) | (E) | (F) |
| BACK PANEL
Quantity: 1 | TOP PANEL
Quantity: 1 | TOP BRACKET
Quantity: 1 | LEFT PANEL
Quantity: 1 | SHELF BRACKET
Quantity: 16 | SHELF
Quantity: 4 |
|  |  |  |  |  |  |
| (G) | (H) | (I) | (J) | (K) | (L) |
| DOOR
Quantity: 1 | NYLON WASHER
Quantity: 1 | ADJUSTABLE LEG
Quantity: 4 | RIGHT PANEL
Quantity: 1 | BOTTOM PANEL
Quantity: 1 | ST4x10 SCREW
Quantity: 40 |

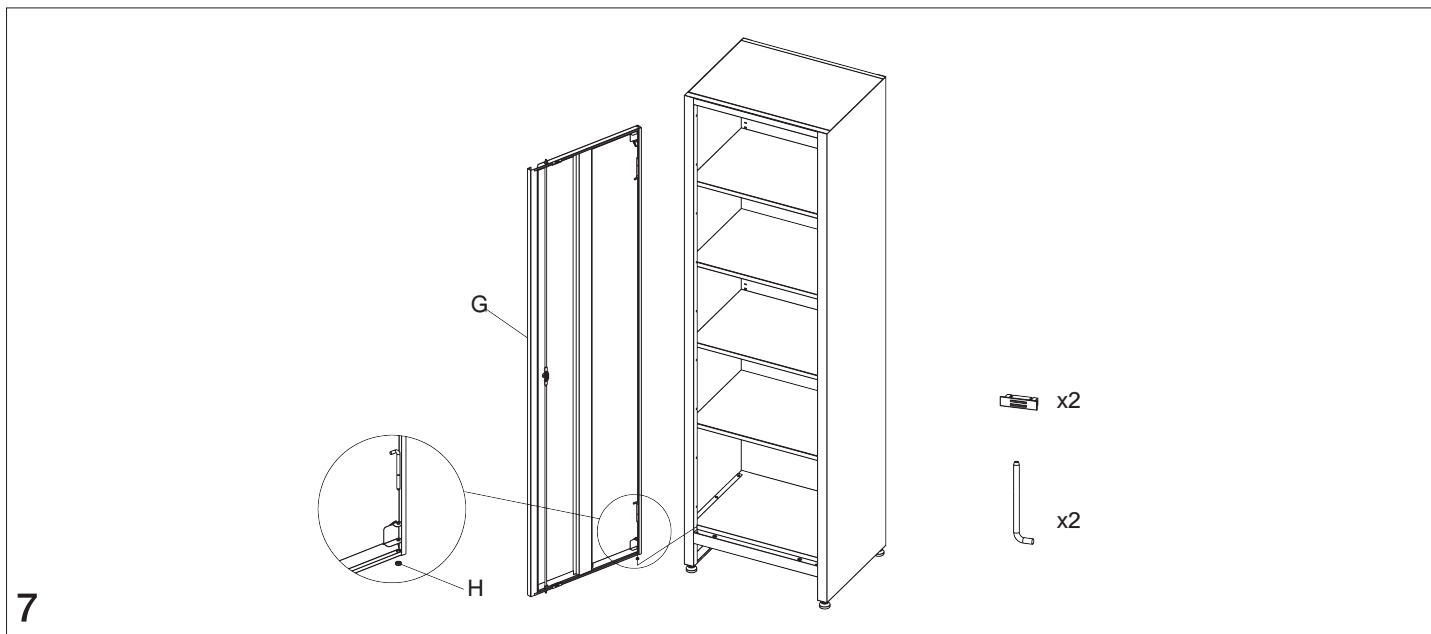
During assembly do not tighten bolts until all components are aligned properly, then tighten fully.

If you have any missing components please take note of the part name and contact your supplier.

Cupboards are safe when used responsibly. If in doubt, contact the supplier.







Safety Instructions



Information

If in doubt, contact the supplier:

- Read this guide before commencing assembly and retain for future reference
- Before commencing assembly, unpack carefully and check that all components ordered are included
- Assembly should be undertaken by a minimum of two competent people
- Tools – Cross Head Screwdriver



Caution

During assembly, ensure to:

- Take care during assembly and in use, particularly when lifting or stretching and when using tools
- Wear appropriate safety clothing – protective gloves and footwear are recommended
- Build on a suitable level floor, which is strong enough to support the load and allow adequate working space
- Dispose of packaging materials responsibly



Warning

Rules for the safe use of workbenches:

- Ensure these instructions are retained for reference and that users are aware of the rules for safe use
- Never climb on the structure or stand on the cupboard
- Do not lean or support ladders, steps, or other objects against cupboard
- Do not use in damp or wet conditions
- Load heavy items on the lower shelves and lighter items on the higher shelves
- This product is designed for hand loading only
- Ensure that the maximum load carrying capacities are not exceeded
- Please refer to the loading information supplied
- Close doors before moving
- Do not mount the product on a truck bed or any other moving object