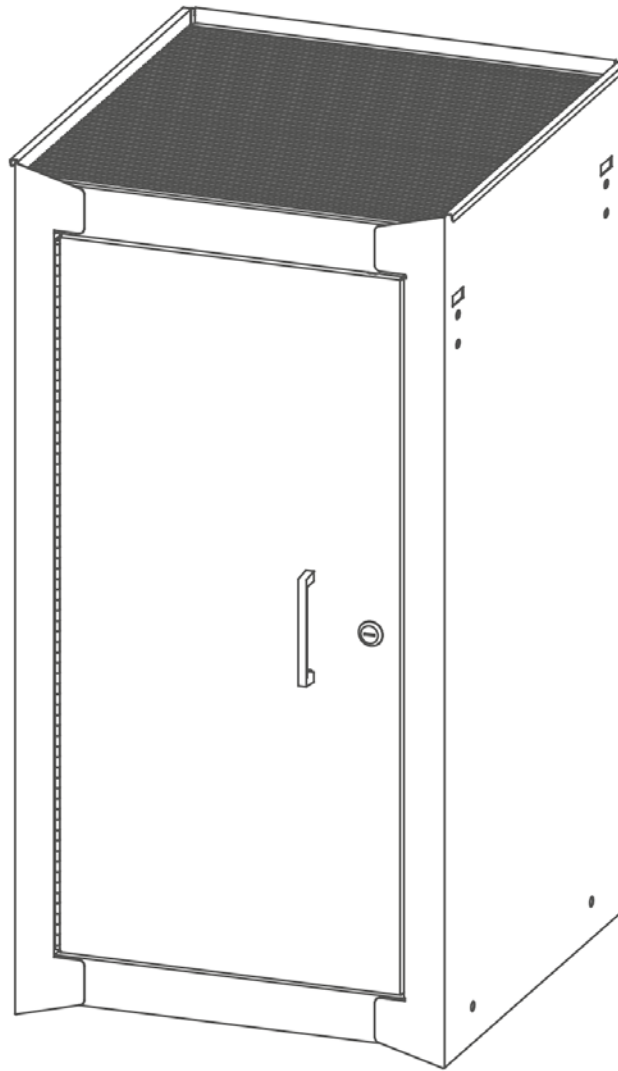


Assembly Sheet

BiGDUG ESSENTIALS 26" 1 DOOR SIDE HANGING CUPBOARD

BDSC271DBL

837mm H x 437mm W x 460mm D



COMPONENTS CHECK LIST:



(A)

Handle
Quantity: 1



(B)

M4 x 8 Bolts
Quantity: 2

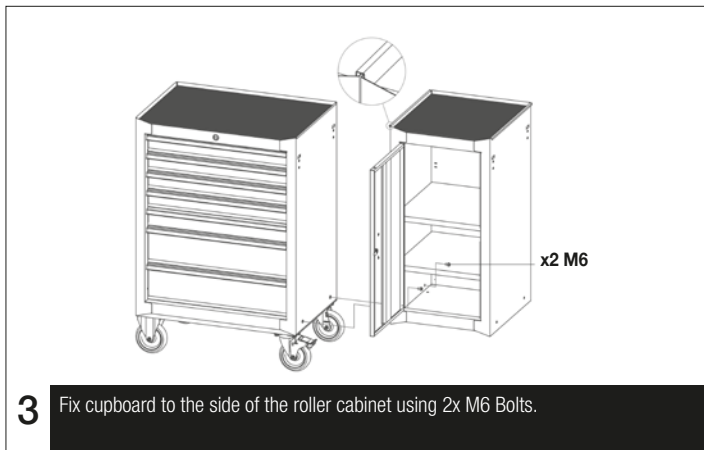
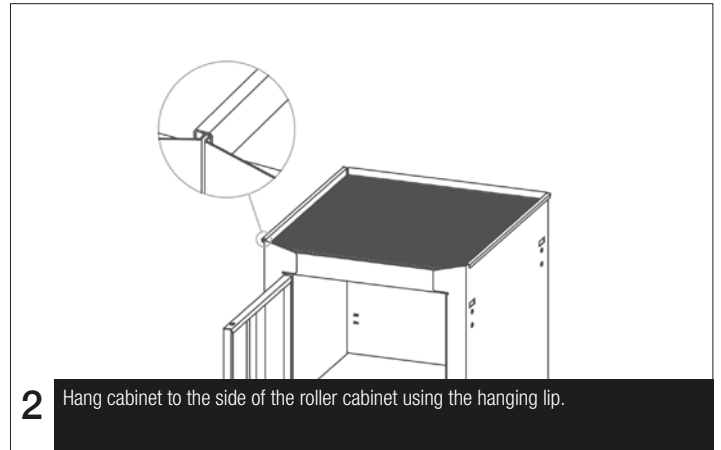


(C)

M6 x 12 Bolts
Quantity: 2

If you have any missing components please take note of the part name and contact your supplier.

Hanging cupboards are safe when used responsibly. If in doubt, contact the supplier.



Safety Instructions

i Information:
If in doubt, contact the supplier:

- Read this guide before commencing assembly and retain for future reference
- Before commencing assembly, unpack carefully and check that all components ordered are included
- Assembly should be undertaken by a minimum of two competent people
- Tools – Screwdriver and spanner

! Caution:
During assembly, ensure to:

- Read this guide before commencing assembly and retain for future reference
- Take care during assembly and in use, particularly when lifting or stretching and when using tools
- Wear appropriate safety clothing – protective gloves and footwear are recommended
- Build on a suitable level floor, which is strong enough to support the load and allow adequate working space
- Dispose of packaging materials responsibly

! Warning:
Rules for the safe use of cupboards:

- Ensure these instructions are retained for reference and that users are aware of the rules for safe use
- Do not sit or stand on the cupboard