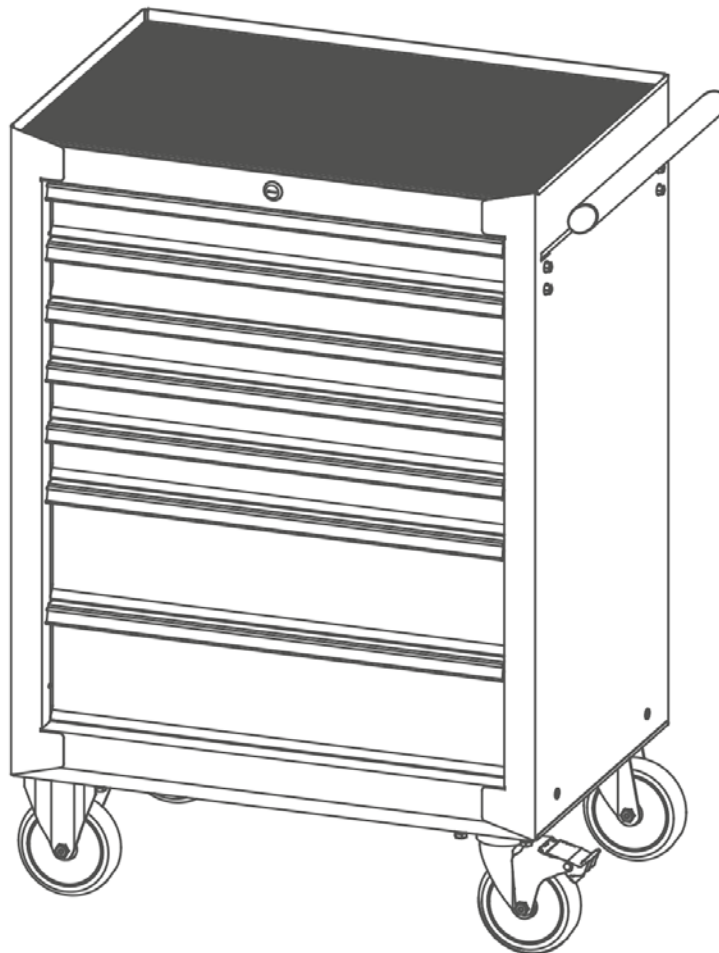


Assembly Sheet

BiGDUG ESSENTIALS 27" 7 DRAWER TOOL CABINET

BDRC277DBL

990mm H x 680mm W x 460mm D



COMPONENTS CHECK LIST:



(A)
Side Handle
Quantity: 1



(B)
Swivel Castor
Quantity: 1



(C)
Hex Bolts M8 x 18
Quantity: 16



(D)
Spring Washers ø8
Quantity: 16



(E)
Fixed Castors
Quantity: 2



(F)
Swivel Braked Castor
Quantity: 1



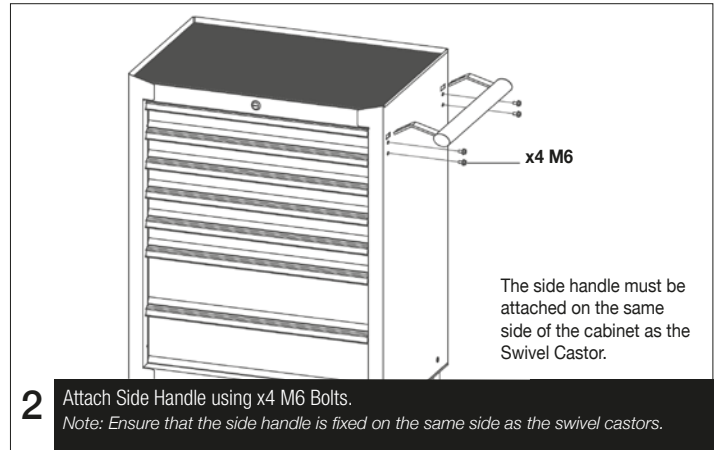
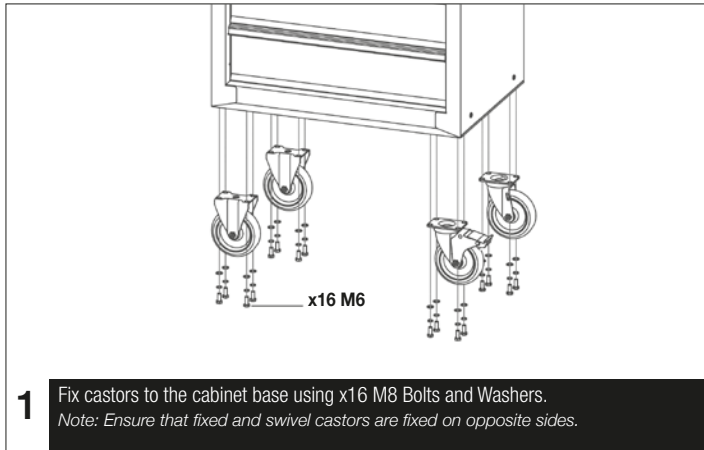
(G)
Plain Washers ø8
Quantity: 16



(H)
Hex Bolts M6 x 12
Quantity: 4

If you have any missing components please take note of the part name and contact your supplier.

Tool cabinets are safe when used responsibly. If in doubt, contact the supplier.



Safety Instructions

i Information:
If in doubt, contact the supplier:

- Read this guide before commencing assembly and retain for future reference
- Before commencing assembly, unpack carefully and check that all components ordered are included
- Assembly should be undertaken by a minimum of two competent people
- Tools – Spanner

! Caution:
During assembly, ensure to:

- Read this guide before commencing assembly and retain for future reference
- Take care during assembly and in use, particularly when lifting or stretching and when using tools
- Wear appropriate safety clothing – protective gloves and footwear are recommended
- Build on a suitable level floor, which is strong enough to support the load and allow adequate working space
- Dispose of packaging materials responsibly

! Warning:
Rules for the safe use of cupboards:

- Ensure these instructions are retained for reference and that users are aware of the rules for safe use
- Do not sit or stand on the cabinet