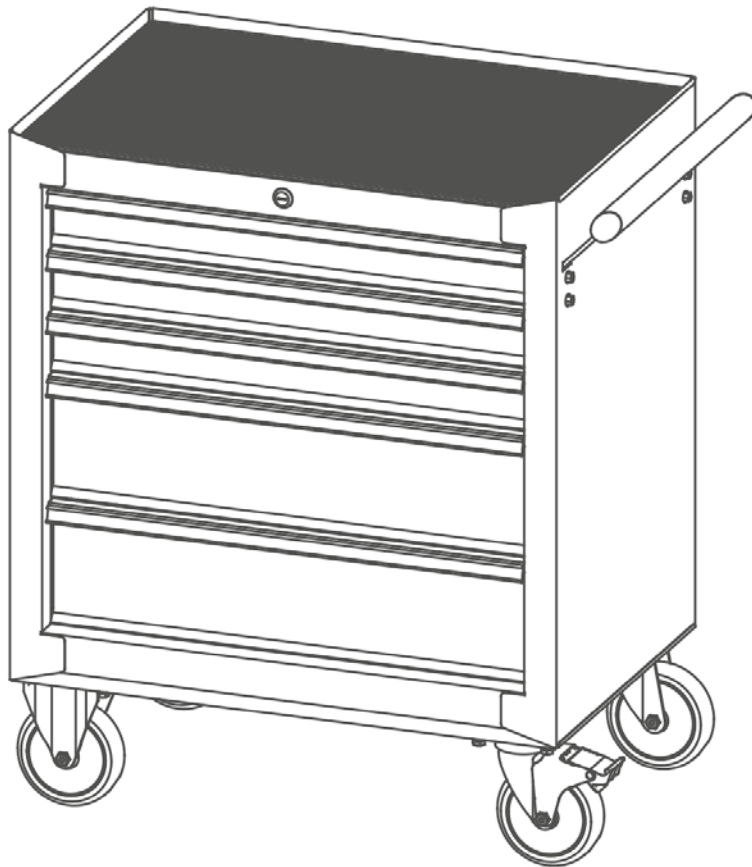


Assembly Sheet

BiGDUG ESSENTIALS 27" 5 DRAWER TOOL CABINET

BDRC275DBL

805mm H x 680mm W x 460mm D



COMPONENTS CHECK LIST:



(A)
Side Handle
Quantity: 1



(B)
Swivel Castor
Quantity: 1



(C)
Hex Bolts M8 x 18
Quantity: 16



(D)
Spring Washers ø8
Quantity: 16



(E)
Fixed Castors
Quantity: 2



(F)
Swivel Braked Castor
Quantity: 1



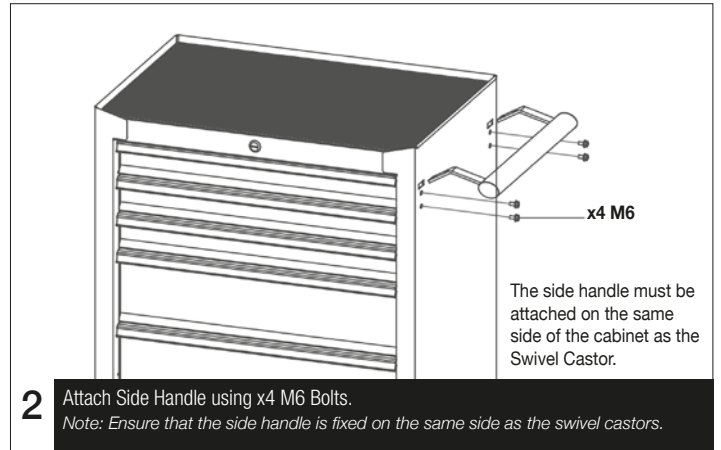
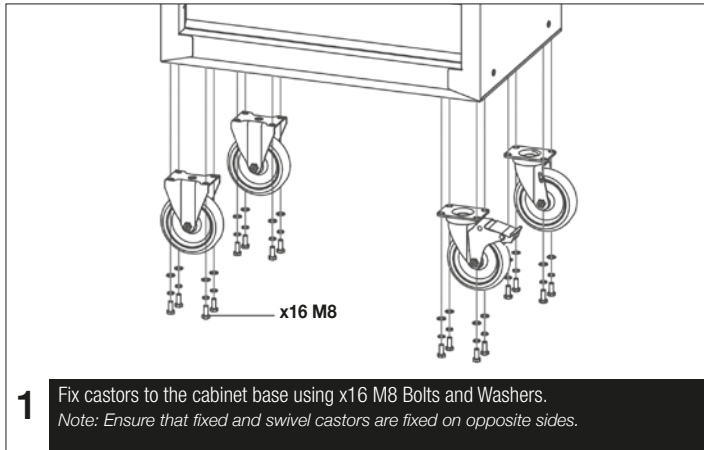
(G)
Plain Washers ø8
Quantity: 16



(H)
Hex Bolts M6 x 12
Quantity: 4

If you have any missing components please take note of the part name and contact your supplier.

Cabinets are safe when used responsibly. If in doubt, contact the supplier.



Safety Instructions

i Information:
If in doubt, contact the supplier:

- Read this guide before commencing assembly and retain for future reference
- Before commencing assembly, unpack carefully and check that all components ordered are included
- Assembly should be undertaken by a minimum of two competent people
- Tools – Spanner

! Caution:
During assembly, ensure to:

- Read this guide before commencing assembly and retain for future reference
- Take care during assembly and in use, particularly when lifting or stretching and when using tools
- Wear appropriate safety clothing – protective gloves and footwear are recommended
- Build on a suitable level floor, which is strong enough to support the load and allow adequate working space
- Dispose of packaging materials responsibly

! Warning:
Rules for the safe use of cupboards:

- Ensure these instructions are retained for reference and that users are aware of the rules for safe use
- Do not sit or stand on the cabinet