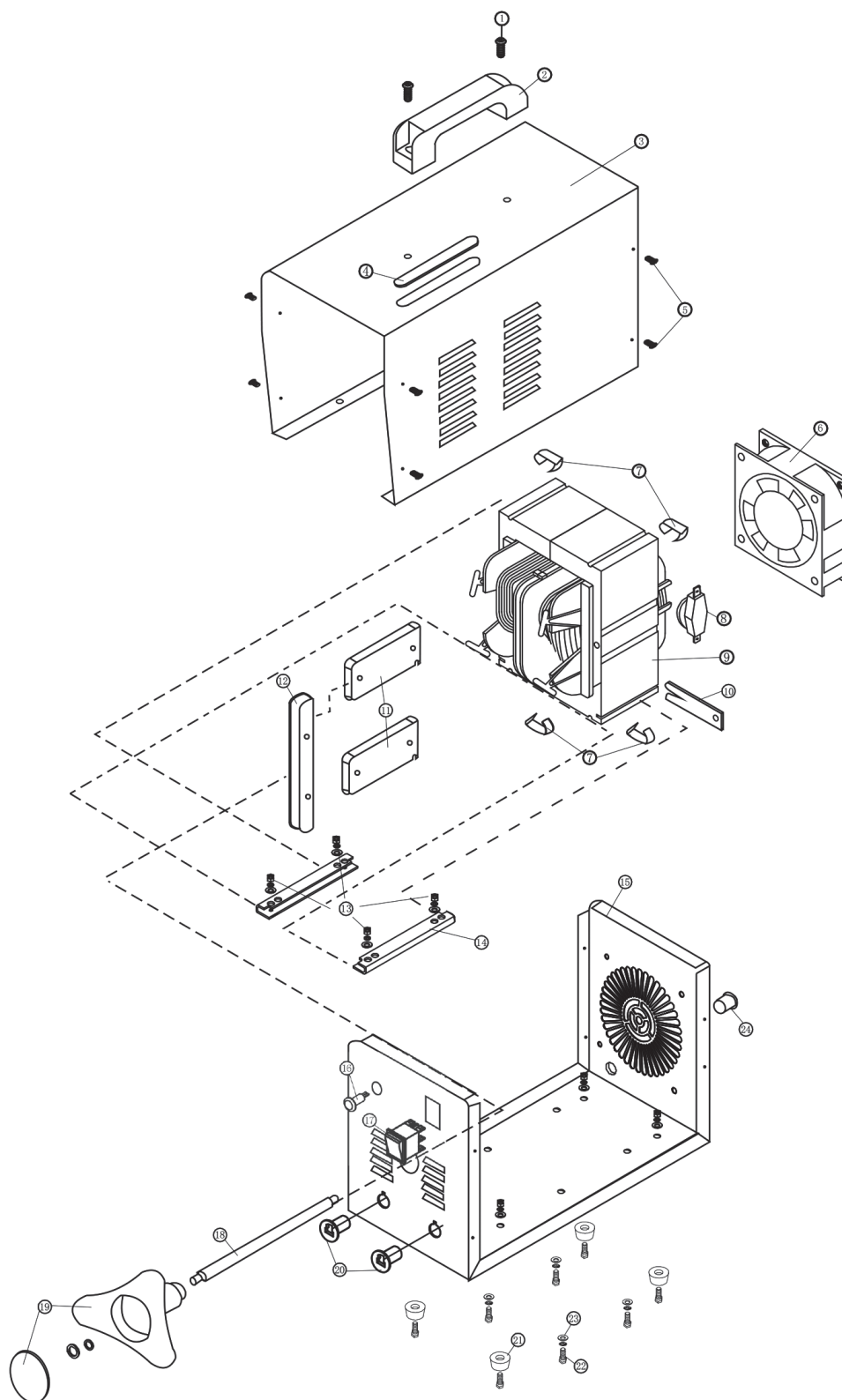




230V 180A ARC WELDER

69939 - AW180A SPARE PARTS DRAWING





230V 180A

ARC WELDER

69939 - AW180A SPARE PARTS LISTING

KEY No.	PART No.	STOCK No.	DESCRIPTION	KEY No.	PART No.	STOCK No.	DESCRIPTION
1	YAW164AT-1	76989	Screw for handle	13	YAW164AT-13		Nuts (NP)
2	YAW164AT-2	77005	Handle	14	YAW164AT-14		Bottom bracket (NP)
3	YAW164AT-3		Machine cover (NP)	15	YAW164AT-15		Bottom cover (NP)
4	YAW164AT-4		Top glass window (NP)	16	YAW164AT-16		Hot light (NP)
5	YAW164AT-5		Screw for machine cover (NP)	17	YAW164AT-17	77241	Power switch
6	YAW164AT-6		Fan (NP)	18	YAW164AT-18	77244	Threaded adjuster
7	YAW164AT-7		Spring clip (NP)	19	YAW164AT-19	77399	Triangle switch
8	YAW164AT-8		Thermal protection (NP)	20	YAW164AT-20		Cable gland (NP)
9	YAW164AT-9		Transformer (NP)	21	YAW164AT-21		Rubber foot (NP)
10	YAW164AT-10		Insert spring (NP)	22	YAW164AT-22		Spacer (NP)
11	YAW164AT-11	77229	Moving iron	23	YAW164AT-23		Screw for bottom bracket (NP)
12	YAW164AT-12		Upper bracket (NP)	24	YAW164AT-24		Cable gland (NP)