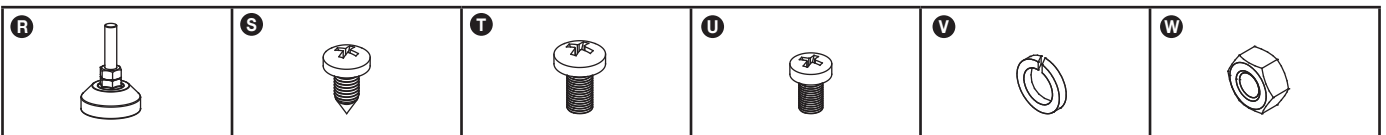
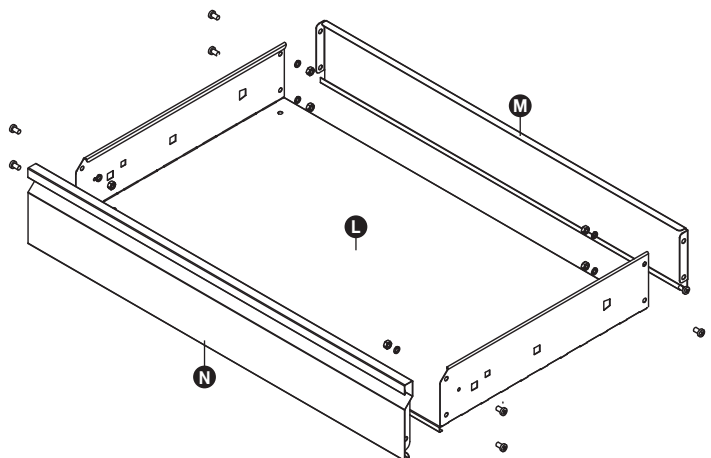
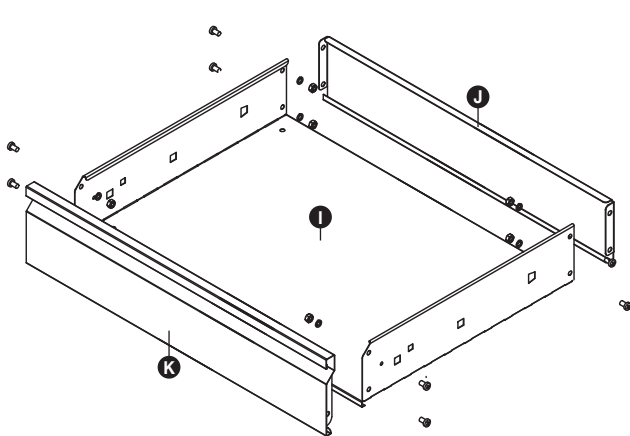
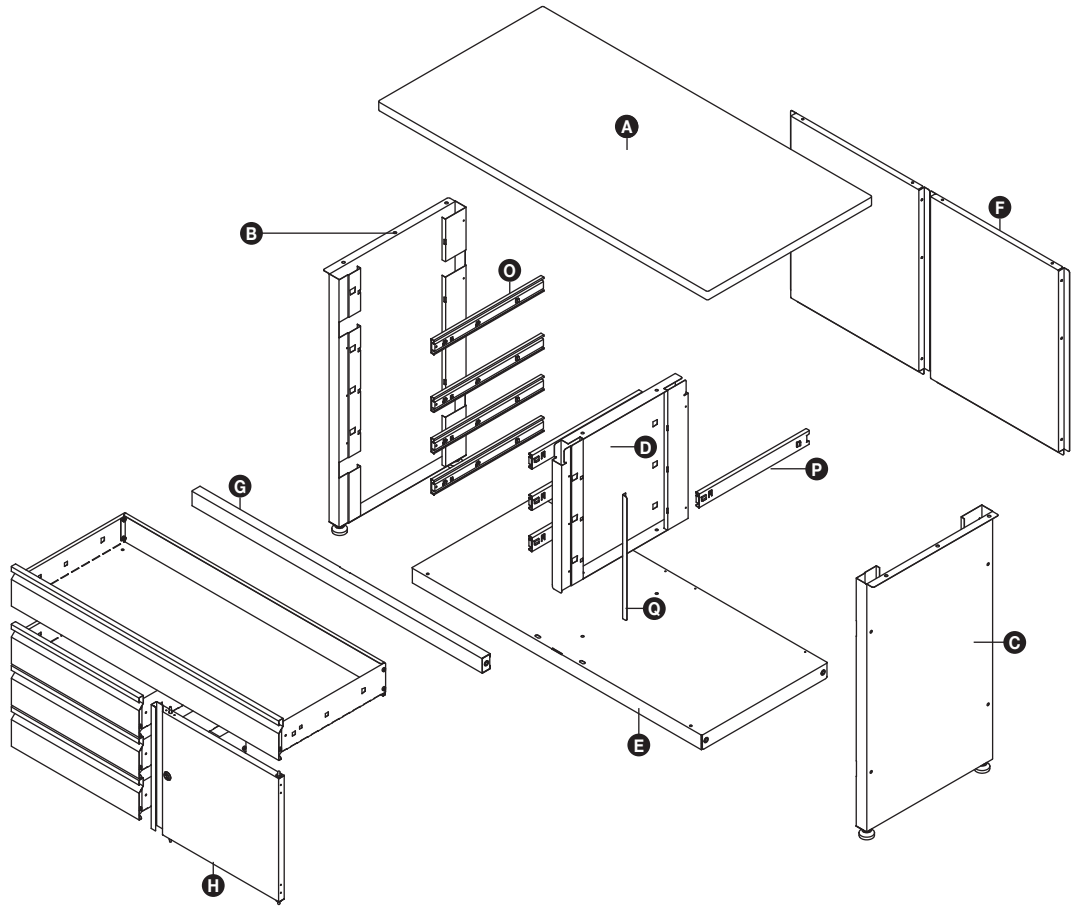


# Guide to Assembly & Usage

## newpo | Garage Drawer Cabinet Workbench | GLWB121

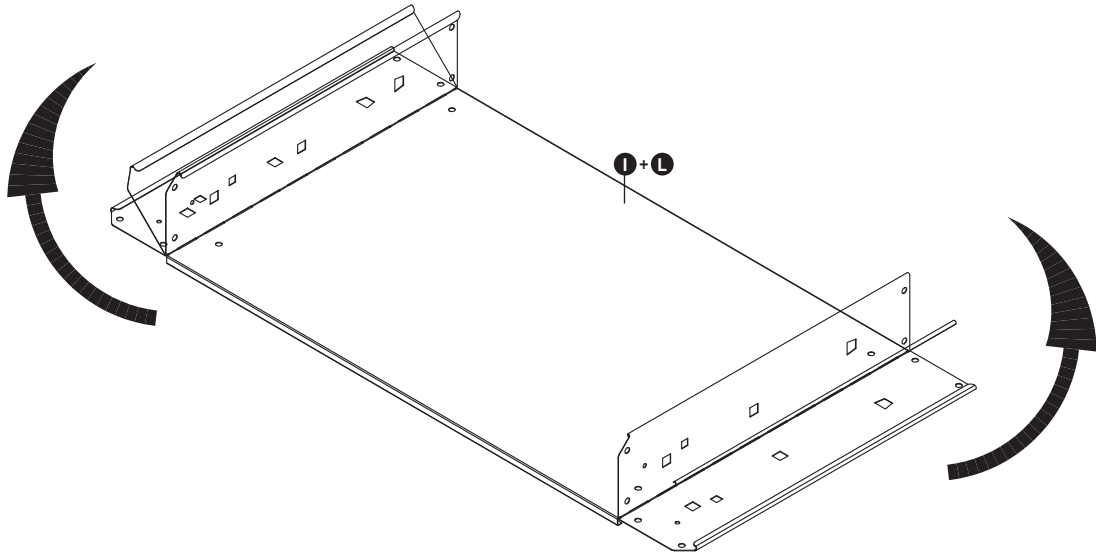
### COMPONENT CHECK LIST

Component	Quantity
<b>A</b> Worktop	1
<b>B</b> Left Panel	1
<b>C</b> Right panel	1
<b>D</b> Centre panel	1
<b>E</b> Base panel	1
<b>F</b> Rear panel	2
<b>G</b> Cross beam	1
<b>H</b> Cupboard door	1
<b>I</b> Small drawer base	3
<b>J</b> Small drawer back panel	3
<b>K</b> Small drawer front panel	3
<b>L</b> Large drawer base	1
<b>M</b> Large drawer back panel	1
<b>N</b> Large drawer front panel	1
<b>O</b> Left hand drawer runner	4
<b>P</b> Right hand drawer runner	4
<b>Q</b> Cupboard door stop	1
<b>R</b> Adjustable feet	4
<b>S</b> ST4 2×9 Screw	17
<b>T</b> M6×12mm bolt	14
<b>U</b> M6×10mm bolt	32
<b>V</b> M6 spring washer	34
<b>W</b> M6 nut	34

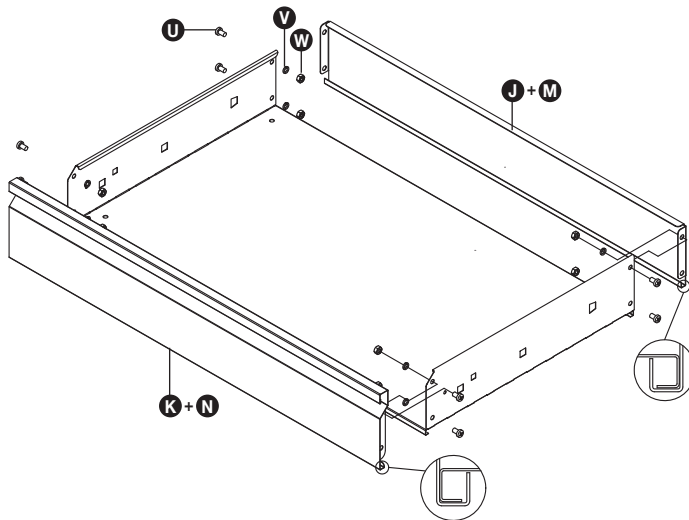


# Assembly- **newpo** Garage Drawer Cabinet Workbench | GLWB121

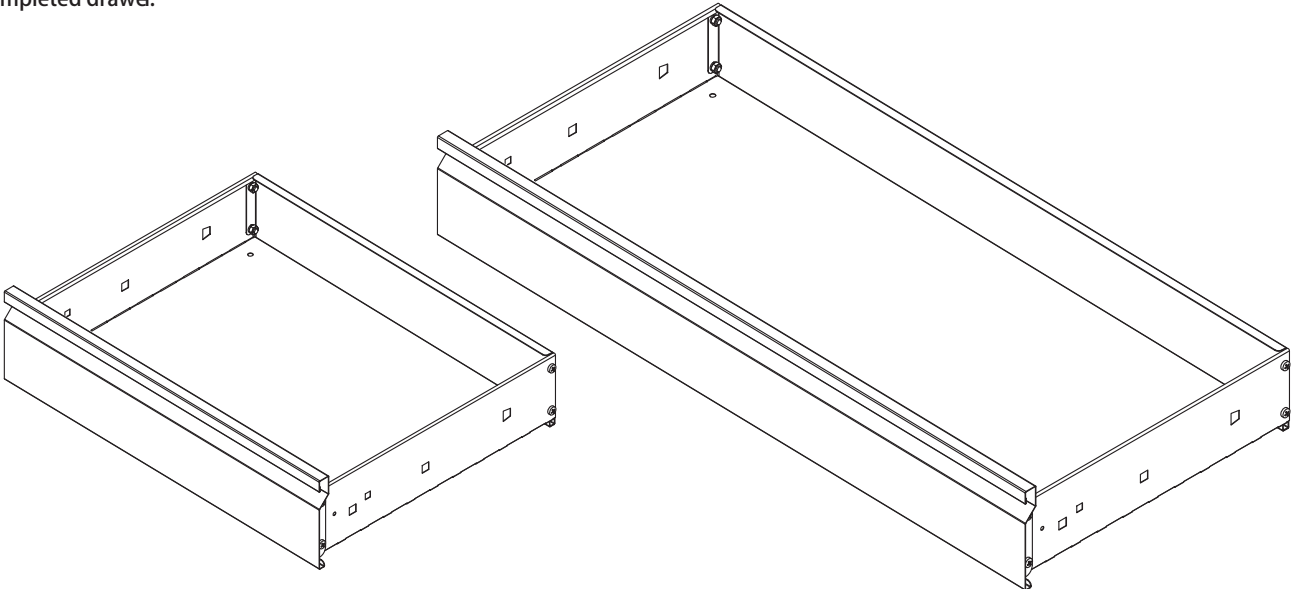
**1** Fold drawer base **I + L**.



**2** Attach drawer back panels **J + M** and front panels **K + N** to the folded drawer bases using fixings **U, W + V**.

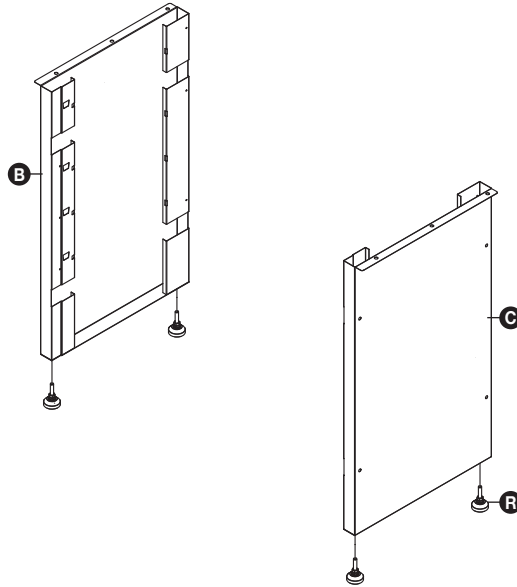


**3** Completed drawer.

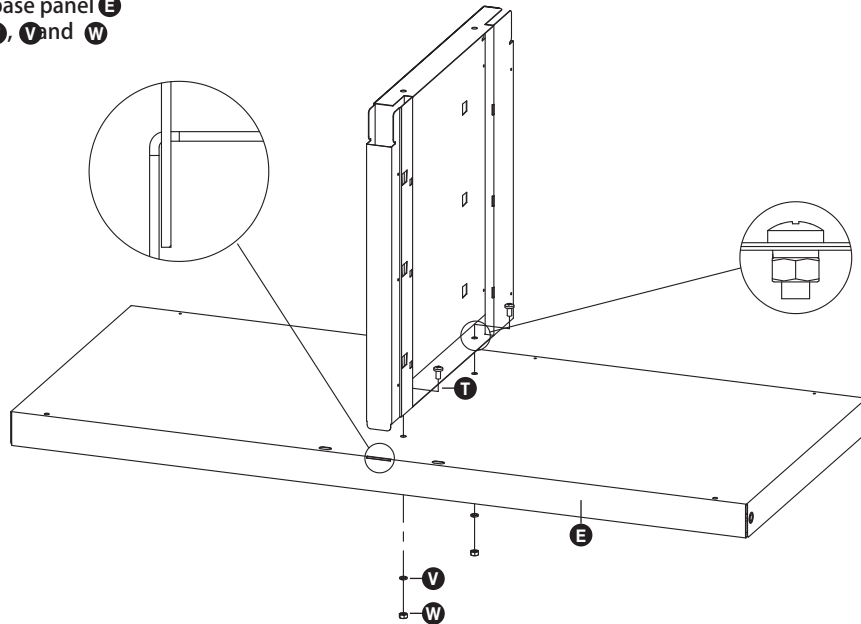


# Assembly- **nēwpo** Garage Drawer Cabinet Workbench | GLWB121

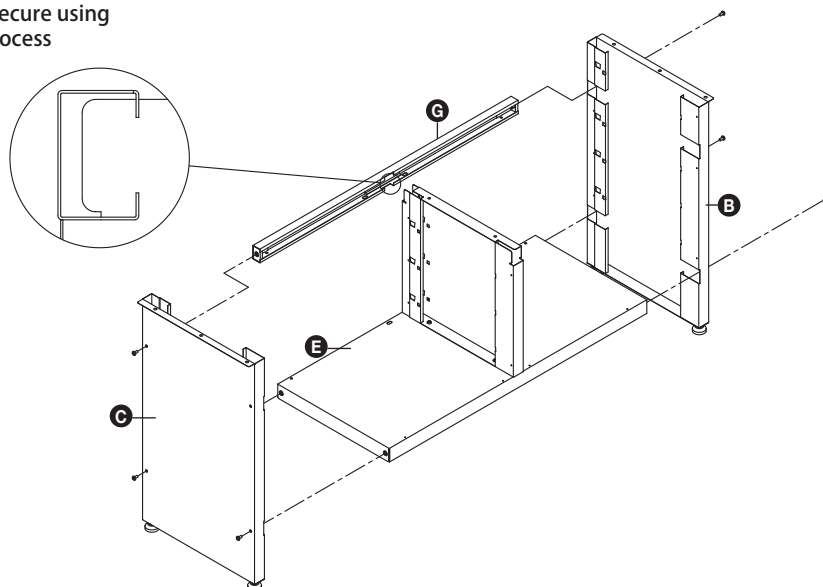
- 4** Attach drawer back panels **U**+ **M** and front panels **K**+ **N** To the folded drawer bases using fixings **U**, **V** and **W**



- 5** Fit centre panel **D** to the base panel **E** and attach using fixings **T**, **V** and **W**

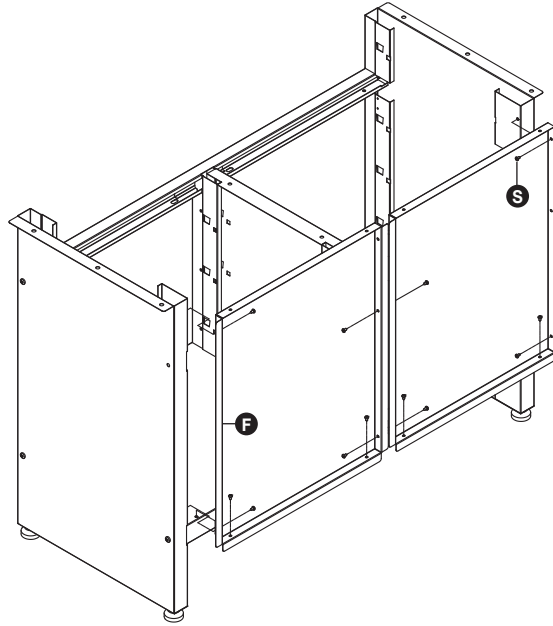


- 6** Insert panel **E** and cross beam **G** into the left panel and secure using fixings **T**. Repeat the process on the right panel.

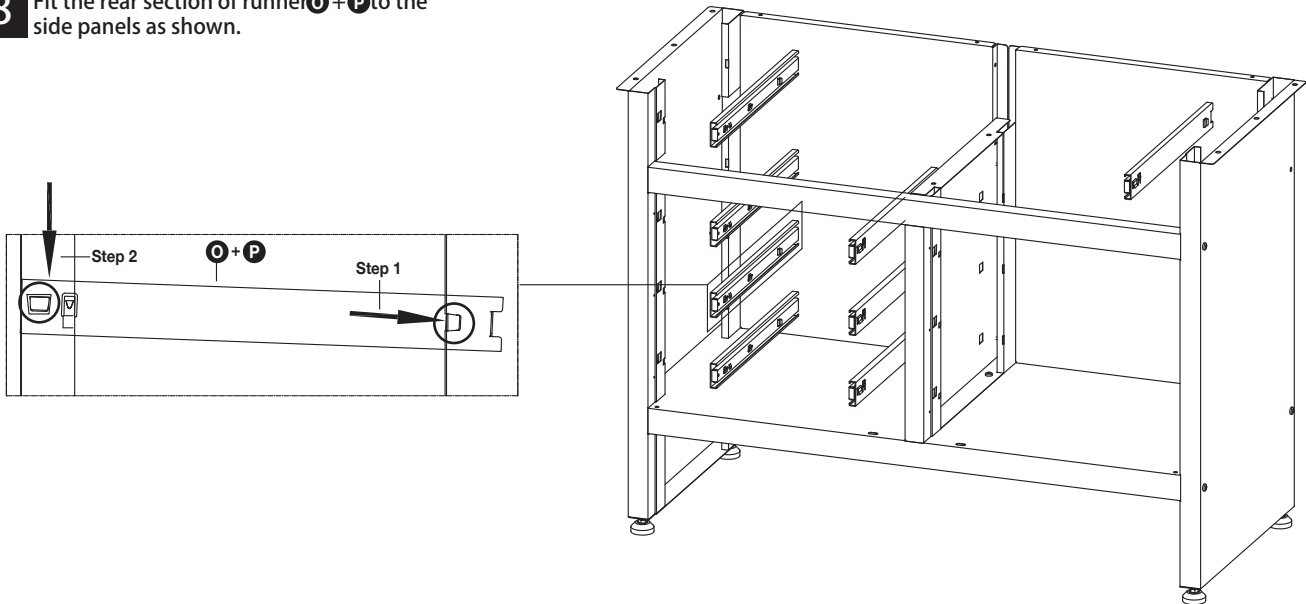


# Assembly- **newco** Garage Drawer Cabinet Workbench | GLWB121

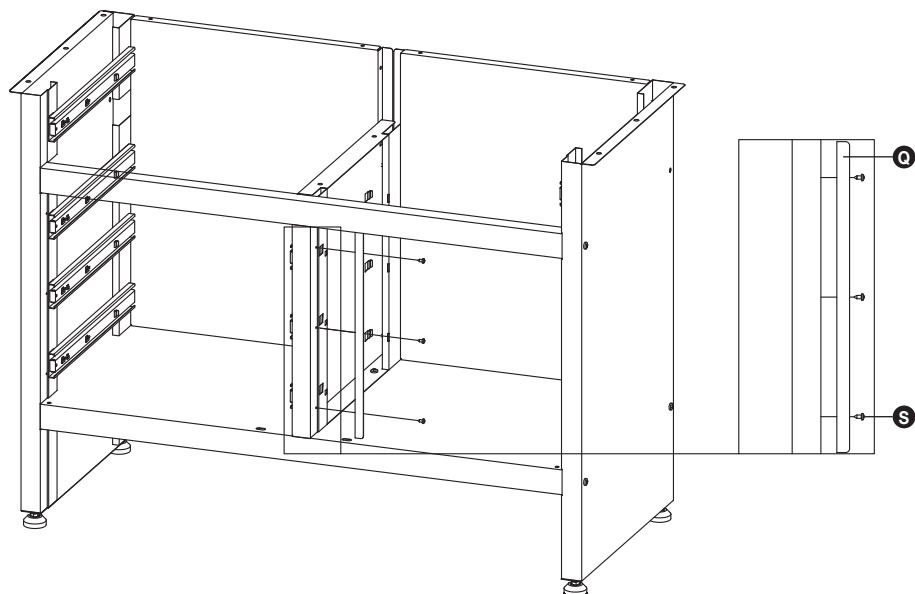
**7** Fit Rear panels **F** using fixings **S**



**8** Fit the rear section of runner **O** + **P** to the side panels as shown.

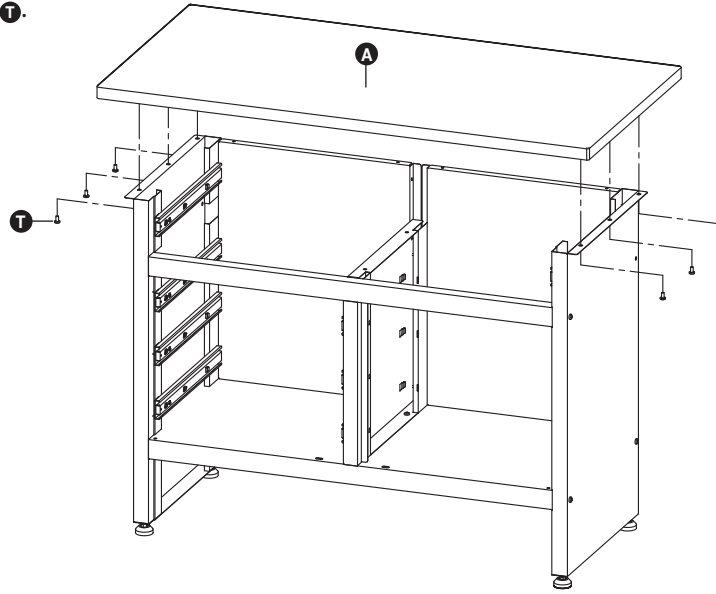


**9** Fit the cupboard door stop **Q** using fixings **S**.

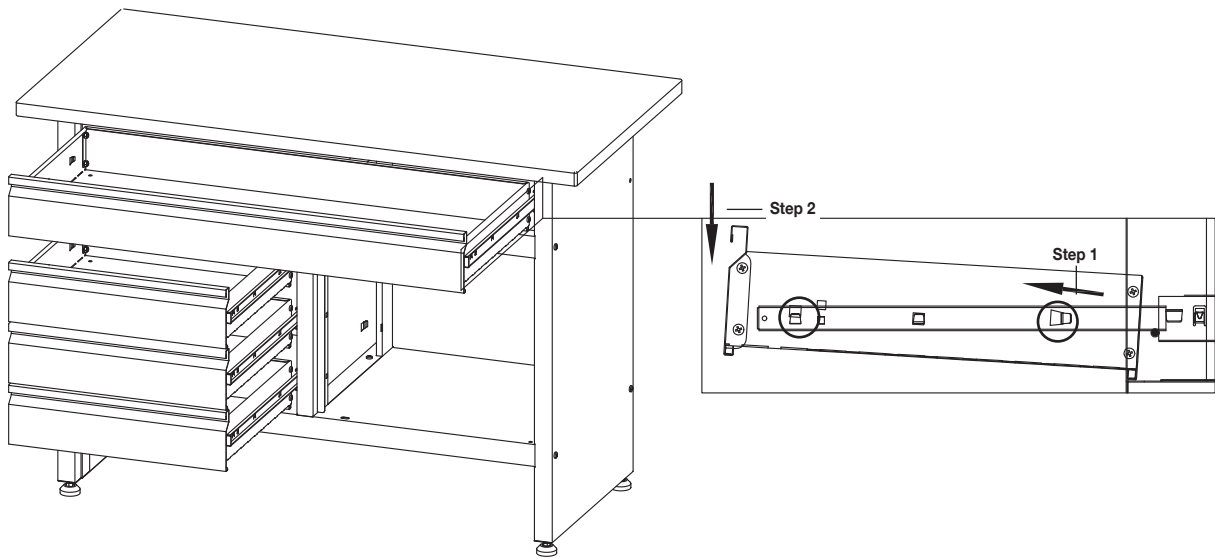


# Assembly- NEWPO Garage Drawer Cabinet Workbench | GLWB121

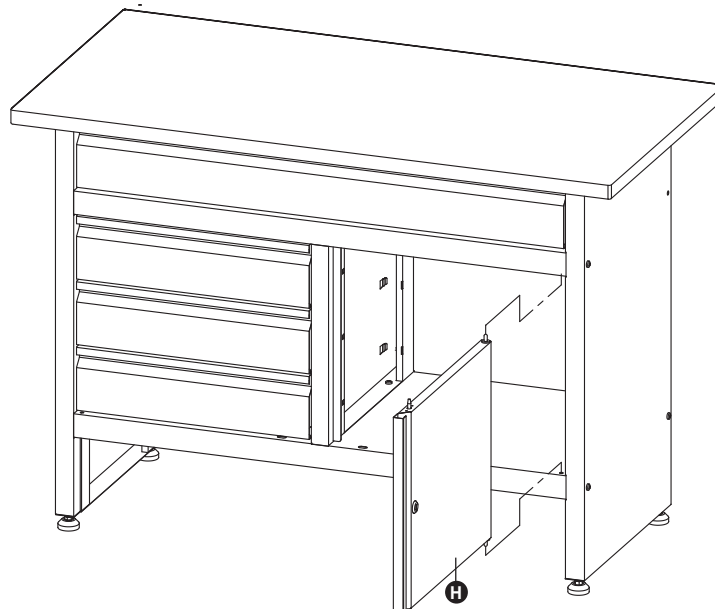
10 Attach the worktop **A** using fixings **T**.



11 Fit the front section of runner **O** + **P** to the cabinet drawer as shown.



12 Fit the cupboard door **H** by pushing the spring latches.



13

